

# BUTLER

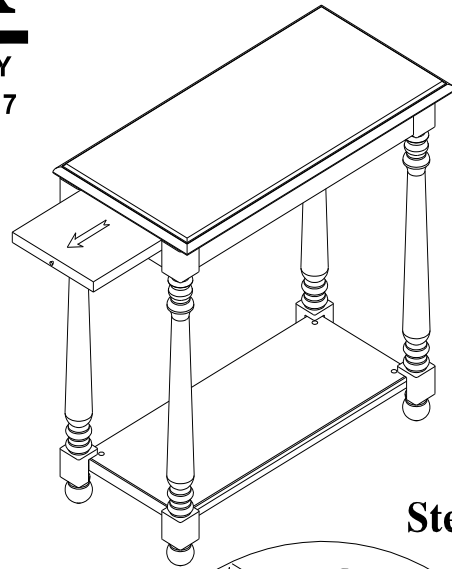
Assembly Instructions  
Style Number 5017

SPECIALTY COMPANY

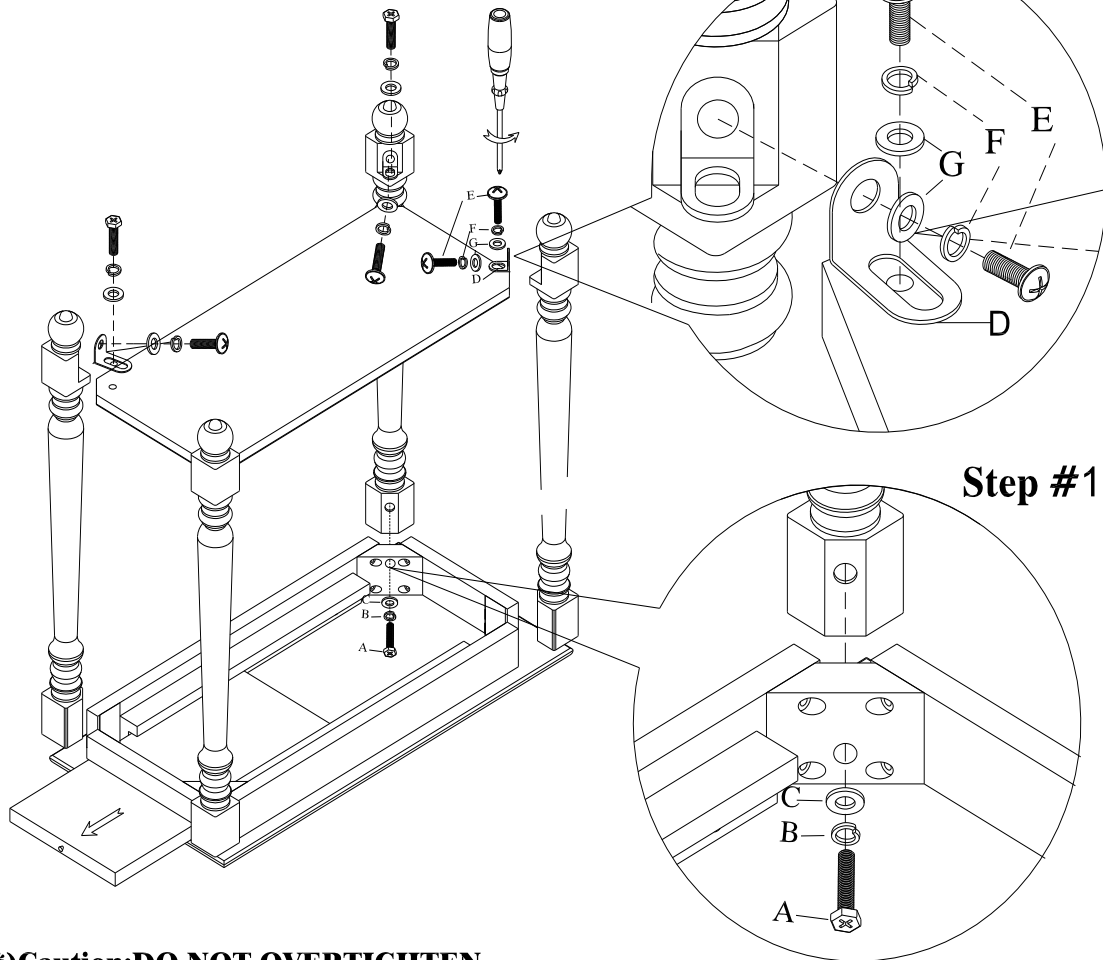
8200 SOUTH CHICAGO AVE., CHICAGO, IL 60617

## PACKAGED

- |     |               |                |
|-----|---------------|----------------|
| (A) | 4-Bolt        | Ø5/16" * 2"L   |
| (B) | 4-Lock Washer | Ø5/16"         |
| (C) | 4-Flat Washer | Ø5/16" * 19mm  |
| (D) | 4-Bracket     | 32 * 18 * 21mm |
| (E) | 8-Bolt        | Ø1/4" * 5/8"L  |
| (F) | 8-Lock Washer | Ø1/4"          |
| (G) | 8-Flat Washer | Ø1/4" * 16mm   |



Step #2



**(\*Caution:DO NOT OVERTIGHTEN**

In any correspondence regarding this product, please include the complete Butler identification number located on the underside of the product.

*We hope this Chair side chest will be a useful and decorative addition to your home for years to come.*

Copyright © Butler Specialty Company, 10/08